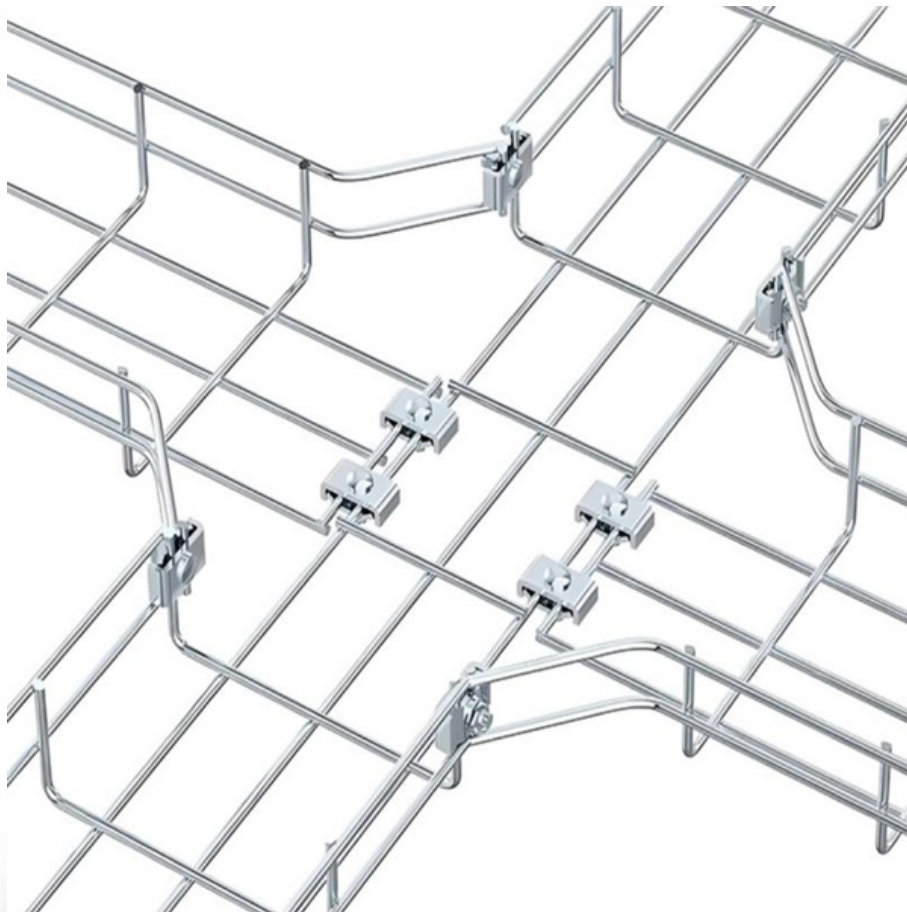


Application of Distribution Network Automation Simulation System



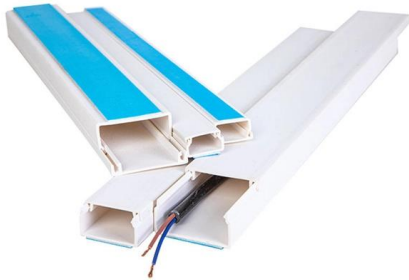


Overview

Abstract—Distribution automation is the most effective means to improve the quality and reliability of power supply. The RTDS Simulator allows engineers to model the behaviour of distribution networks over a large frequency range in real time. ETAP Power Distribution System software offers integrated Distribution Network Analysis, Utility Distribution Planning and Advanced Distribution Management System (ADMS). Gers is President of GERS, a consulting engineering company specialized in power systems. In 2024 International Conference on Power Electronics and Artificial Intelligence (PEAI 2024), January 19-21, 2024, Xiamen, China.



Application of Distribution Network Automation Simulation System



Design and Application of Distributed Feeder Automation Simulation

Aiming at the difficulty of effective and quick functional testing and verification of distributed feeder automation in distribution network, this paper designs

[Contact Us](#)

HIL Testing for Distribution Systems with the RTDS

Distribution systems have unique topologies, components, and operational requirements that require purpose-built control, protection, and management

[Contact Us](#)



Distribution System Software , Distribution Network

Integrated and interactive suite of distribution network applications used by substation engineers & network planners for simulating, analyzing and optimizing

[Contact Us](#)

Application of IEC 61850 for distribution network

Abstract IEC 61850 was originally conceived as a communication standard within a substation, but is being extended to cover other areas of the

[Contact Us](#)



Design and Application of Distributed Feeder Automation Simulation

Abstract: Aiming at the difficulty of effective and quick functional testing and verification of distributed feeder automation in distribution network, this paper designs a distributed feeder automation

[Contact Us](#)



(PDF) Distribution Automation Systems (DAS) -Overview

Distribution Automation Systems (DAS) are comprehensive control systems that automate the monitoring and management of power distribution

[Contact Us](#)



Distribution Automation

Distribution automation is an important method to improve the reliability, quality and capacity of power supply, and helps to realize the efficient and economic operation. It is also one of the important

[Contact Us](#)





Research and Application of Distribution Automation System

1.2 Distribution network automation system composition Distribution automation system realizes the interaction of information through interconnection with dispatching automation system, metering



[Contact Us](#)



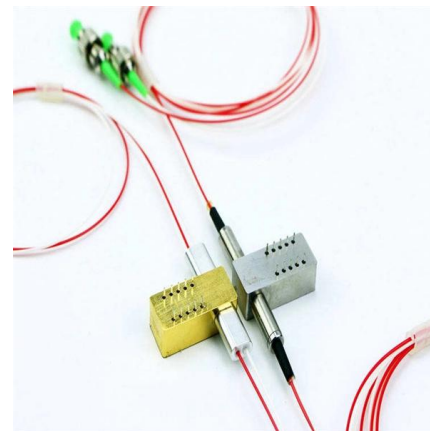
Research and Application of Distribution Automation System

Distribution automation system realizes the interaction of information through interconnection with dispatching automation system, metering automation system, geographic information system, etc.,

[Contact Us](#)

Microsoft Word

The platform can carry out network access tests for different manufacturers and different types of distribution network terminals, can simulate distribution network architectures of any scale and any



[Contact Us](#)



Distribution System Automation

1. Introduction The word Automation means doing the particular task automatically in a sequence with faster operation rate. This requires the use of microprocessor together with communication network



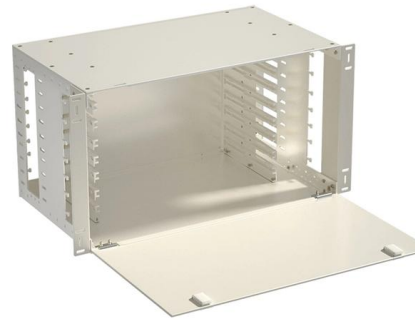
[Contact Us](#)



Distribution system software applications

Eaton's CYME distribution system software applications provide advanced network modeling and simulation capabilities with all aspects of distribution systems from planning to optimizations of

[Contact Us](#)



Design and Application of Automation System with the Distribution

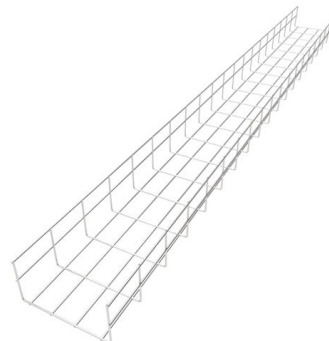
The intelligent distribution network is an important foundation and support for the smart grid, and it has covered substations at all levels. The smart substation technology general provides the definition of a

[Contact Us](#)

Design and Application of Distributed Feeder Automation Simulation

Based on the current research hotspots of power grid technology, this paper discussed the future shape and development trend of power distribution system. Firstly, differences of traditional

[Contact Us](#)



The Real-time Digital Simulation System for Distribution Network

With the access of large-scale distributed power and electric vehicles, the operation state of modern distribution network is more complex and changeable. In this paper, kinds of operation scenarios that

[Contact Us](#)



Microsoft Word

The distribution automation system needs to be coordinated and tested in all parts of the system before it is put into operation. Distribution network has distinctive features such as wide geographical

[Contact Us](#)



LoRa handheld portable base station



Distribution Automation , Introduction, Benefits, and

Introduction Distribution Automation (DA) is a collection of technologies like sensors, processors, communication networks, and switches that help utilities collect,

[Contact Us](#)

Research on the simulation technology of distribution automation

With the leap forward development of modern communication and automation control technology, the theoretical connotation and application boundary of distributio

[Contact Us](#)



Microsoft Word

A broad definition of Distribution Automation includes any automation which is used in the planning, engineering, construction, operation, and maintenance of the distribution power system, including

[Contact Us](#)

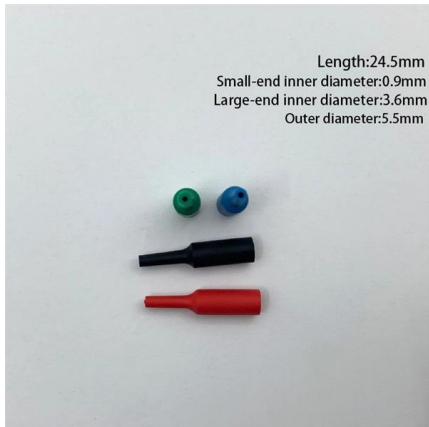




Distribution Automation

Distribution Automation Distribution automation (DA) is a family of technologies, including sensors, processors, information and communication networks, and

[Contact Us](#)



HIL Testing for Distribution Systems with the RTDS

Improve performance and decrease deployment time for distribution automation systems and DERMS through HIL testing Distribution systems have unique

[Contact Us](#)

Distribution System Analysis , Distribution Network

Distribution system analysis and optimization tools used for network planning, simulation, and prediction of system response using schematic or geospatial views.

[Contact Us](#)



Distribution System Analysis Distribution System Analysis

Combined with automation, these techniques underpin the emerging concept of the "smart grid", a digitally-enabled electrical supply grid that can monitor and respond to the behaviour of all its

[Contact Us](#)



Distribution System Analysis and Automation , IET Digital Library

Distribution systems analysis employs a set of techniques that allow engineers to simulate, analyse, and optimise power distribution systems. Combined with automation, these techniques underpin the

[Contact Us](#)



Distribution Network Software for Planning & Analysis

Integrated Distribution Network Solution With over 20 comprehensive analysis modules for distribution systems, ETAP is the ultimate tool for Smart Grid

[Contact Us](#)



Distribution System Operation and Automation

Summary

This chapter looks at the history of distribution automation (DA) and several common operation functions and examines the impact of automation on these functions. Deregulation and

[Contact Us](#)



Contact Us

For datasheets, pricing, or custom fiber access solutions, please visit:
<https://www.frindel.es>