

Andor Micro Module 4U





Andor Micro Module 4U



Arduino Pro Micro ATmega32U4-MU 5V/16MHz Module

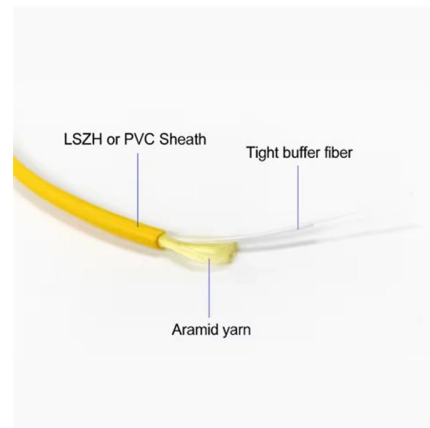
The Arduino Pro Micro is a compact, Arduino-compatible microcontroller board powered by the ATmega32U4.

[Contact Us](#)

Micro-Manager Software Guide

demarks of Andor Technology. Andor is an Oxford Instruments company. uManager/Micro-Manager is an open source application developed at UCSF and is funded by an NIH grant R01-EB007187 from

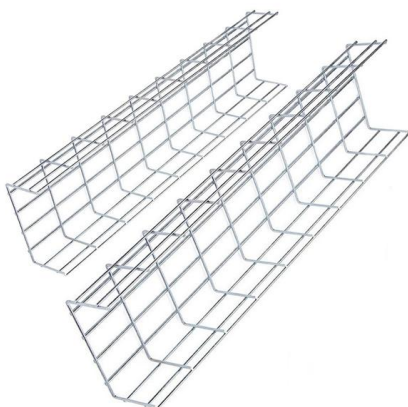
[Contact Us](#)



Can Micro-Manager control Andor's Dragonfly

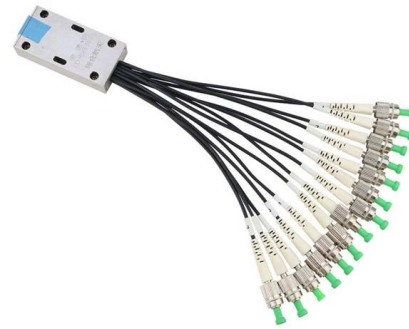
Is Micro-Manager able to control Andor's Dragonfly? I cannot find any information regarding it, so I would lean towards no. But, going to Andor's Discovery wiki article and clicking on

[Contact Us](#)

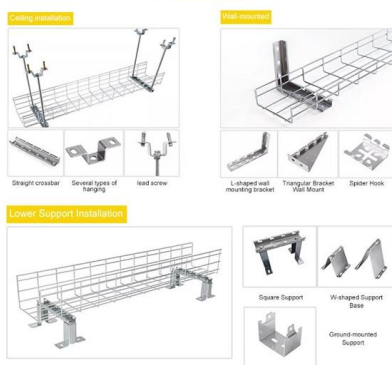


MicroPoint Features a

Ablation. MicroPoint provides a flexible and field-proven tool for photo-s. imulation. Supplied with a patented compact, pulsed nitrogen pumped tuneable dye laser, it is capable of ablation, bleaching



INSTALLATION METHOD



Technical note Micro-Manager: Integrating solutions for micro

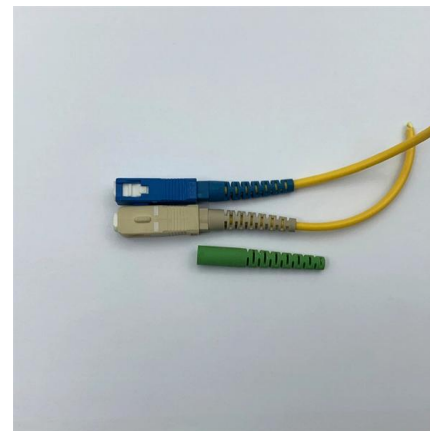
Micro-Manager addresses points 3 and 4 above - where it is outlined in this technical note how it can be used to give a fully integrated modular solution and allow for easy configuration to capture

[Contact Us](#)

Digital microscope

Andor's field-proven MicroPoint tool for photo-stimulation is now faster and offers greater flexibility. The patented compact, pulsed nitrogen pumped tunable dye

[Contact Us](#)



Oxford Instruments ANDOR MicroPoint 4 User Manual

View and Download Oxford Instruments ANDOR MicroPoint 4 user manual online. ANDOR MicroPoint 4 laboratory equipment pdf manual download. Also for: Mp-420.

[Contact Us](#)



Andor MicroPoint 4 Photo-stimulation Device

Ablate, bleach, uncage and more with the new MicroPoint 4! Andor's field-proven MicroPoint tool for photo-stimulation is now faster and offers greater flexibility. The patented compact, pulsed nitrogen

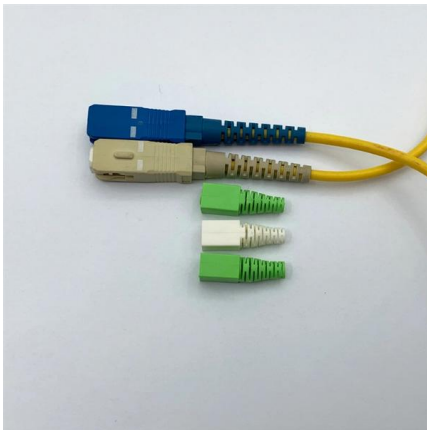
[Contact Us](#)



MicroPoint Features a

MicroPoint provides a flexible and field-proven tool for photo-stimulation. Supplied with a patented compact, pulsed nitrogen pumped tuneable dye laser, it is capable of ablation, bleaching and

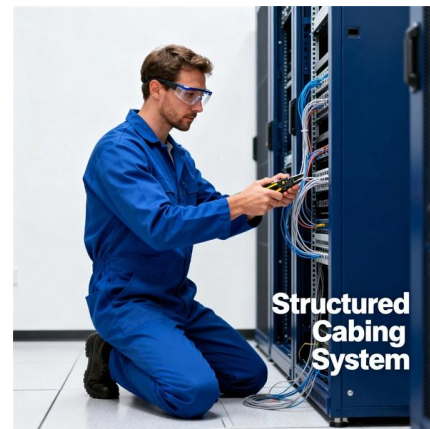
[Contact Us](#)



Scientific Cameras, Microscopy Systems, Spectrographs

Andor is a world leader in design and manufacture of high-performance EMCCD, sCMOS and CCD cameras, microscopy systems, spectrographs, and optical

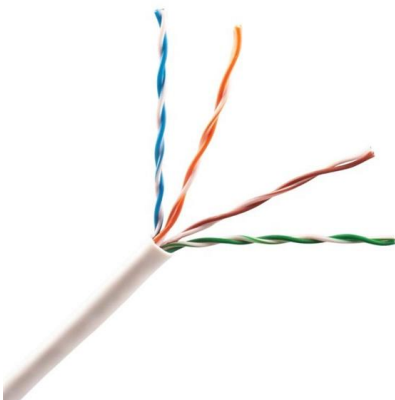
[Contact Us](#)



MicroPoint 4

In addition to BSPs which allow combination with epifluorescence sources, MicroPoint 4 can also be combined with Andor's patented Mosaic DMD device and with laser-based confocal microscopes,

[Contact Us](#)

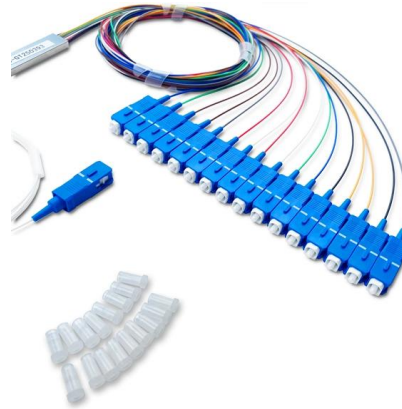




Micro-manager not recognizing Andor SDK3

Hello, I am trying to run an Andor Zyla 4.2 sCMOS camera using micromanager. I have installed Andor SDK3 in the micromanager folder in program files, as the guide says. However, when

[Contact Us](#)



Andor MicroPoint 4

MicroPoint 4 easily integrates with many supported microscopes with factory-installed focus modules enabling optimal performance. Beam steering and software gives exceptional flexibility and

[Contact Us](#)



Setting up Andor's sCMOS Cameras in μManager Micro-Manager

How to set up and use your Andor sCMOS camera in the open source software package, Micro-Manager.

[Contact Us](#)



AndorShamrock

Hardware Configuration Manager Follow the usual instructions to add a device to a config file in Micro-Manager (i.e. Tools->Hardware Configuration Wizard).

[Contact Us](#)

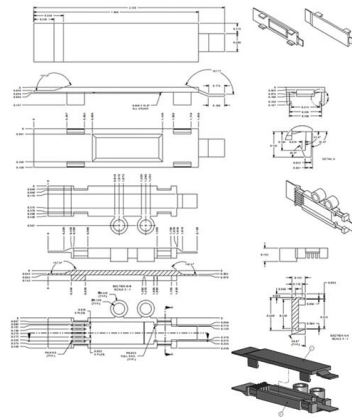




Modular Microspectroscopy

Andor's dedicated, highly configurable microspectroscopy interfaces allow seamless integration to microscopy systems. uManager's user-friendly control of the Shamrock spectrographs and

[Contact Us](#)



Oxford Instruments Andor Launches MicroPoint 4, a High-end Photo

Oxford Instruments Andor Technology, a world leader in scientific imaging solutions, has announced the release of MicroPoint 4, a state-of-the-art photo-stimulation device.

[Contact Us](#)

Pro micro atmega32u4 5V/16MHz Development board

The Pro Micro is similar to the Pro Mini, but has a Atmega32U4 on board. The USB transceiver in 32U4 enables us to add USB connectivity on the board and to do

[Contact Us](#)



Oxford instruments ANDOR MicroPoint 4 Manuals , ManualsLib

View online or download Oxford instruments ANDOR MicroPoint 4 User Manual.

[Contact Us](#)



New Andor MicroPoint 4, a high-end photo-stimulation

New Andor MicroPoint 4, a high-end photo-stimulation device As the fourth generation of the highly successful MicroPoint product family, MicroPoint 4

[Contact Us](#)



Andor MicroPoint 4 Photo-stimulation Device

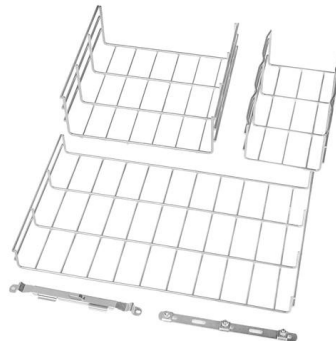
Description of the website. Ablate, bleach, uncage and more with the new MicroPoint 4! Andor's field-proven MicroPoint tool for photo-stimulation is now faster and offers greater flexibility. The

[Contact Us](#)

MicroPoint Laser Illumination

Minimum Computer Requirements: The computer controlled system requires a personal computer with a PCI slot and a USB port. The Bluetooth controlled system is controlled by a Bluetooth-enabled PDA

[Contact Us](#)



Microscope light source

Find out all of the information about the Andor Technology PLC product: microscope light source MicroPoint 4. Contact a supplier or the parent company directly to get

[Contact Us](#)



Oxford Instruments Andor Launches MicroPoint 4, a High-end Photo

Oxford Instruments Andor Technology, a world leader in scientific imaging solutions, today announced the release of MicroPoint 4, a state-of-the-art photo-stimulation device.

[Contact Us](#)



MicroPoint 4 - Fast & Flexible Photostimulation Tools

Ablate, bleach, uncage and more with the new MicroPoint 4! Andor's field-proven MicroPoint tool for photo-stimulation is now faster and offers greater flexibility.

[Contact Us](#)

Contact Us

For datasheets, pricing, or custom fiber access solutions, please visit:
<https://www.frindel.es>