

5dB fiber optic attenuator





5dB fiber optic attenuator



Fiber optic attenuator 5pcs LC FM OM3 3db female to male fiber

Fiber optic attenuator 5pcs LC FM OM3 3db female to male fiber optic attenuator (OM1 gray 5db) : Amazon.ae: Industrial & Scientific About this item 3dB fiber optic attenuator for optimal signal

[Contact Us](#)

Fiber Optic Attenuator, Fixed

This Fiber Optic Attenuator, Fixed - LC/UPC 5dB is necessary to prevent over saturating an optical receiver when the optical power is too high. Using

[Contact Us](#)



Optical Attenuator 5dB

Achieve precise signal control with our 5dB Optical Attenuator. Durable, reliable, and efficient for fiber networks. Order now for stable performance!

[Contact Us](#)



Fiber optic attenuator ST UPC female to male plug type FM 0db

Fiber optic attenuator for optimal signal control in FTTH applications. Available in various attenuation levels: 0dB, 1dB, 3dB, 5dB, 7dB, and 20dB to meet different network requirements.



**SC Connector Fiber Optic Attenuator
1/2/3/5/7/10/15dB**

Key attributes Type Fiber Optic Attenuator
Connector Type LC/UPC Use FTTH FTTx Model
Number FTL-SCU--dB Brand Name Flytoplink
Place of Origin Guangdong, China Warranty Time
1 Year

[Contact Us](#)



**In-Line Fixed 9/125 Cable Attenuator 5dB ,
Fibertronics,**

Fibertronics, Inc.'s in-line fixed cable attenuator is built to meet your low reflection attenuation requirements. Each cable assembly is custom built to meet your

[Contact Us](#)



**2 Pack UPC SC Fiber Optic Attenuator
Single Mode Female to**

Fiber Optic Cable Type: Fiber Optic Attenuator
Adapter Connector: UPC SC Attenuation value:
3DB, 5DB, 7DB Accurate attenuation:
1~5DB±0.5DB Mode: Single mode Wavelength:
Single mode

[Contact Us](#)





LC/A Fiber Optic Attenuator Female to Male FM 0-25db 10 pcs (9db)

LC/A Fiber Attenuators for Reliable Signal Management Available in Multiple Attenuation Levels: 0dB, 1dB, 3dB, 5dB, 10dB, 15dB, 20dB, 25dB Convenient 10-Pack for Bulk Use in FTTH Optical

[Contact Us](#)



SC/A Fiber Optic Attenuator 10pcs FM Female-Male 0-25db (5db)

About this Item SC/A fiber attenuators designed for optimal signal management in FTTH networks. Includes 10 pieces with varying attenuation levels: 0dB, 1dB, 2dB, 3dB, 5dB, 7dB, 10dB, 15dB, and

[Contact Us](#)



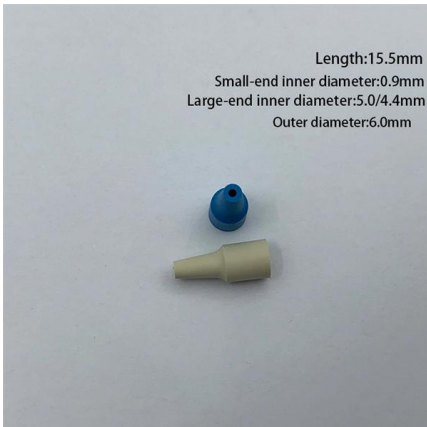
LC/A Fiber Optic Attenuator Female to Male FM 0-25db 10 pcs (0db)

LC/A Fiber Attenuators for Reliable Signal Management Available in Multiple Attenuation Levels: 0dB, 1dB, 3dB, 5dB, 10dB, 15dB, 20dB, 25dB Convenient 10-Pack for Bulk Use in FTTH Optical

[Contact Us](#)



Length:15.5mm
Small-end inner diameter:0.9mm
Large-end inner diameter:5.0/4.4mm
Outer diameter:6.0mm



LC UPC Fiber Optical Attenuator (LC_UPC Yin Yang 1dB)

LC UPC Fiber Optical Attenuator(LC_UPC Yin Yang 1dB) Fiber Optic Attenuator is one kind of optical passive device which is used to debug the performance of the optical power in the optical

[Contact Us](#)



5dB LC/UPC Singlemode Fixed Fiber Optic Attenuator,

As optical passive devices, this attenuators are mainly used in fiber optic to debug optical power performance & optical instrument calibration correction & fiber

[Contact Us](#)



Fiber Optic Attenuators

Suitable for both 1310nm and 1550nm operation. DB Attenuation levels available from Fiber Cables Direct include 5dB, 10dB, 15dB and 20dB, call for other dB level options. Attenuators are typically

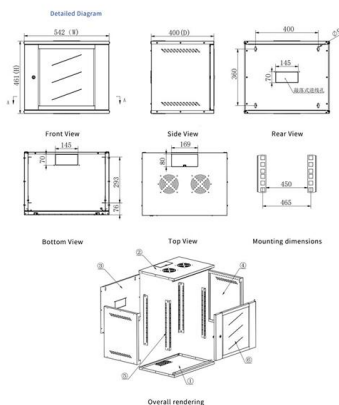
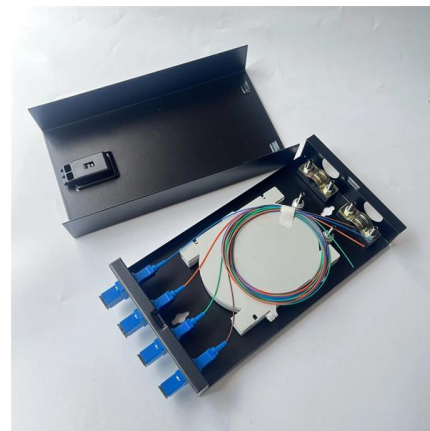
[Contact Us](#)



Fiber Optic Attenuator FM MU UPC 5pcs Female to Male

Fibre optic attenuators designed for optimal signal control in FTTH applications. Includes a variety of attenuation levels (0dB, 1dB, 3dB, 5dB, 10dB, 15dB, 20dB) to suit different network requirements.

[Contact Us](#)



Fiber optic attenuator ST UPC female to male plug type FM 0db

Buy Fiber optic attenuator ST UPC female to male plug type FM 0db-30dB 1db 3db 5db 7db 20db FTTH optical 10pcs (2db) online on Amazon.ae at best prices. Fast and free shipping free returns cash on

[Contact Us](#)



Fiber optic attenuator 5pcs LC FM OM3 3db female to male fiber optic

Fiber optic attenuator 5pcs LC FM OM3 3db female to male fiber optic attenuator (OM3 aqua 5dB) : Buy Online at Best Price in KSA - Souq is now Amazon.sa: Industrial & Scientific About this item 3dB

[Contact Us](#)



Fiber optic attenuator 5pcs LC FM OM3 3db female to male fiber

Fiber optic attenuator 5pcs LC FM OM3 3db female to male fiber optic attenuator (OM2 gray 5dB) : Amazon.ae: Industrial & Scientific 3dB fiber optic attenuator for optimal signal performance Includes

[Contact Us](#)

SC/APC Fiber Optic Attenuator 1/2/3/5/7/10/15dB Fixed Male/Female

Key attributes Type Fiber Optic Attenuator Connector Type SC/APC Use FTTH FTTx Model Number FTL-SCA--dB Brand Name Flytoplink Place of Origin Guangdong, China Warranty Time 1 Year

[Contact Us](#)



SC/A Fiber Optic Attenuator 10pcs FM Female-Male 0-25db (7db)

About this Item SC/Afiber attenuators designed for optimal signal management in FTTH networks. Includes 10 pieces with varying attenuation levels: 0dB, 1dB, 2dB, 3dB, 5dB, 7dB, 10dB, 15dB, and

[Contact Us](#)



Fiber attenuator LC/UPC 5db Female to Male plug type SM FTTH Optical

About this item 5dB LC/UPC fiber optic attenuators designed for optimal signal reduction in fiber networks. Compatible with various fiber optic systems, ensuring reliable performance and minimal

[Contact Us](#)



Fiber FM attenuator LC female to male plug type 0db 1db20db 3db 5db

About this item Fiber optic FM attenuator designed for optimal signal reduction in FTTH applications. Includes a variety of attenuation levels: 0dB, 1dB, 2dB, 3dB, 5dB, 8dB, and 10dB to suit different

[Contact Us](#)

Optical Attenuators, Fixed & Variable Available

FS fixed and variable fiber optic attenuators with leading attenuating fibers guarantee consistent and stable fiber attenuation (0~60dB) in WDM transmission.

[Contact Us](#)



Premium Fiber Attenuator, LC / UPC, 5db

These versatile in-line attenuators are the perfect solution for attenuating

[Contact Us](#)

5dB LC UPC Fiber Optical Attenuators-



ARTIC FIBER TECHNOLOGY

These plug-style attenuators simply mount on one end of a fiber optic cable, allowing that cable to be plugged into the receiving equipment or panel. ARTIC Fiber also have female to female (bulkhead)

[Contact Us](#)



Fiber Optic Attenuator FC FM FC/UPC-FC/A female-male 1dB 3dB 5dB

Precision engineered for reliable signal attenuation in fiber optic networks Available in various attenuation levels: 1dB, 3dB, 5dB, 10dB, 15dB, and 20dB to meet diverse application needs

[Contact Us](#)



5dB Attenuator Fiber Optic ST

HeyOptics offers High-quality 5dB Attenuator Fiber Optic ST (Singlemode, Male to Female, UPC, 1~25dB) at direct-factory Price & Life-time Warranty.

[Contact Us](#)



SC/A Fiber Optic Attenuator 10pcs FM Female-Male 0-25db (10db)

About this Item SC/Afiber attenuators designed for optimal signal management in FTTH networks. Includes 10 pieces with varying attenuation levels: 0dB, 1dB, 2dB, 3dB, 5dB, 7dB, 10dB, 15dB, and

[Contact Us](#)





Contact Us

For datasheets, pricing, or custom fiber access solutions, please visit:
<https://www.frindel.es>