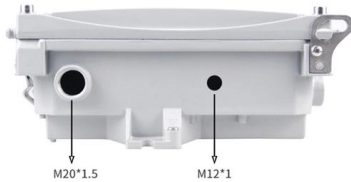


2-core armored pigtail for data centers





2-core armored pigtail for data centers



Armored Optical Fiber Pigtail vs. Standard: Which Is Better?

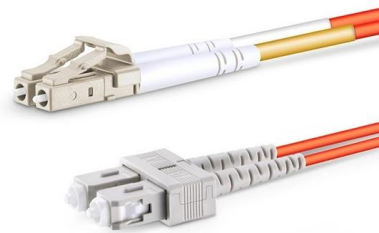
Applications and Use Cases Consider the application for which the pigtails will be used. For critical infrastructures like hospitals, data centers, or oil and gas facilities, armored optical fiber pigtails may

[Contact Us](#)

Fiber Optic Pigtail Meaning: What is it and How to

Fiber optic pigtail is an unbuffered optical fiber that has one end terminated with a fiber optic connector and the other end for splicing.

[Contact Us](#)



Superior 2-24 Fibers Single Mode Armored Pigtail

Explore the durability and reliability of Superior armored pigtail for single mode fiber optic networks. Discover the benefits of stainless steel protection.

[Contact Us](#)

Comprehensive Guide to Fiber Optic Pigtails , Gezhi Photonics

Armored Pigtails: Encased with a stainless steel tube or other sturdy material inside the outer jacket, armored fiber optic pigtails provide extra protection for the fiber inside and added

Fast shipment in stock Default white and black, contact customer service for notes

4U standard model



Fiber Optic Armoured Patch Cord & Pigtail

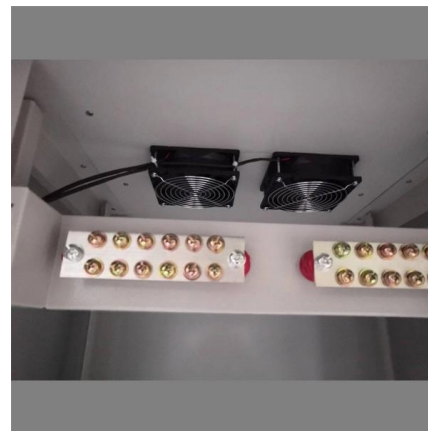
Fiber Optic Armoured Patch Cord & Pigtail. Fibconet's armored patch cord cables provide exceptional protection for your fiber optic connections, especially in areas

[Contact Us](#)

What is fiber optic pigtail?and armored fiber pigtails

It is widely used in data centers and high - speed networking applications where space is limited. LC - type pigtails are often used with 10 -

[Contact Us](#)



Fiber Optic Pigtails: Uses & Differences from Patch Cords

Pigtail: Usually has a 0.9mm tight-buffered fiber with minimal protective jacket, because it will be placed inside protected enclosures. Patch

[Contact Us](#)





Pigtails & Patch Cords

LC Polarity Reversible Uniboot Patch Cords enhance deployment and maintenance efficiency, offering easy, tool-free polarity reversal in the field. Premium low loss

[Contact Us](#)



Fiber Pigtails for Data Centers

CommScope engineers and manufactures a complete line of high quality fiber pigtailed for data centers

[Contact Us](#)



Fiber Optic Pigtails for Telecom & Data Center

Professional-grade fiber optic pigtailed built for telecom, FTTH, and data center deployment. Options include single mode G.652.D/G.657.A1/A2 and

[Contact Us](#)



The Complete Guide to Pigtail Fibers: Simplifying

Conclusion Pigtail fibers are the quiet enablers of modern connectivity, bridging devices to networks with precision and reliability. From 5G

[Contact Us](#)



Pigtails & Patch Cords

Pigtails Premium low loss range of pigtails are suitable for telecom, datacom, data center and some critical applications.

[Contact Us](#)



Guide to Fiber Optic Pigtails: Introduction, Applications

In terms of market trends, the future of fiber optic pigtails is expected to be influenced by the increasing demand for high-speed connectivity in various

[Contact Us](#)

Fiber Pigtail Kits

Pigtail kits shall be available with 900-micron tight buffer LSZH coating and 250-micron coated fiber. Pigtail kits shall be individually packaged with part numbers, descriptions, optical performance, and

[Contact Us](#)



Fiber Optic Pigtails , Reliable Connectivity , FiberMania

Explore FiberMania fiber optic pigtails for data centers, FTTx, and telecom. Customizable, pre-terminated, and high-performance solutions.

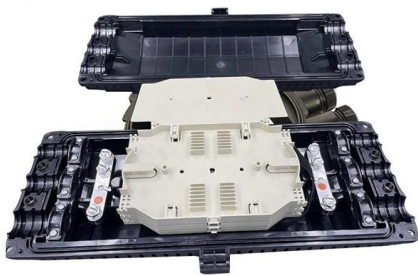
[Contact Us](#)



Armored pigtails : FiberZON

Armored pigtails from FiberZON - worldwide supplier in fiber optic solutions, optical network, FTTx, fiber testing, fiber cables & tools.

[Contact Us](#)



What is a Fiber Optic Pigtail, and What Is It Used For?

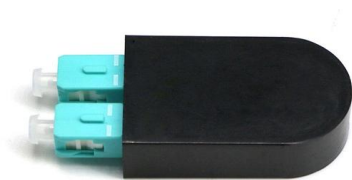
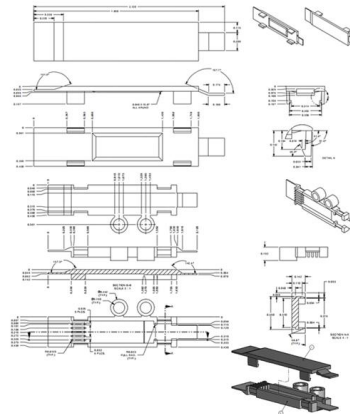
Pigtails are used in a wide range of applications, including building fiber optic networks, testing and maintenance, data centers, telecom networks,

[Contact Us](#)

FTTH Fiber Optic LZSH Telecom Standards Armored

An armored pigtail is a fiber optic cable with a connector on one end and an open end on the other, which can splice to another cable's fiber core. These pigtails

[Contact Us](#)



Custom Fiber Optic Pigtails for Sale

FS offers custom fiber pigtails in any connector & fiber type with tight buffer, armored and bend insensitive fiber design for easy fusion or mechanical splicing.

[Contact Us](#)

Fiber Optic Patch Cords vs Pigtails: Uses &



Differences

Learn about fiber optic patch cords and pigtails--their types, connectors, and uses. Understand key differences for data centers, telecom, and FTTH networks.

[Contact Us](#)



Pigtail Assemblies for Patch and Splice Panels

AFL's pigtail assemblies help eliminate labor-intensive field termination, yet guarantee reliable performance. Featuring a unified construction allowing for easy

[Contact Us](#)



Armored Pigtails

Customized Simplex OS2 Singlemode LC/SC/FC/ST/LSH (E2000) Armored 3.0mm Fiber Optic Pigtail PVC/LSZH Flame-retardant Jacket with Tight-buffered Coating on Each Optical Fiber Stainless Steel

[Contact Us](#)



2 Core Fiber Optic Pigtail, Armoured, 100 m

G Tech Technology - Offering 2 Core Fiber Optic Pigtail, Armoured, 100 m at INR 65/piece in Pune, Maharashtra. Get Fiber Optic Pigtails at lowest price , ID:

[Contact Us](#)





12 Core Fiber Optic Cable

Equipped with superior performance and durability, our 12 core fiber optic cable offers a transmission distance that can reach up to 10 kilometers without signal degradation. This makes it ideal for large

[Contact Us](#)



Contact Us

For datasheets, pricing, or custom fiber access solutions, please visit:
<https://www.frindel.es>