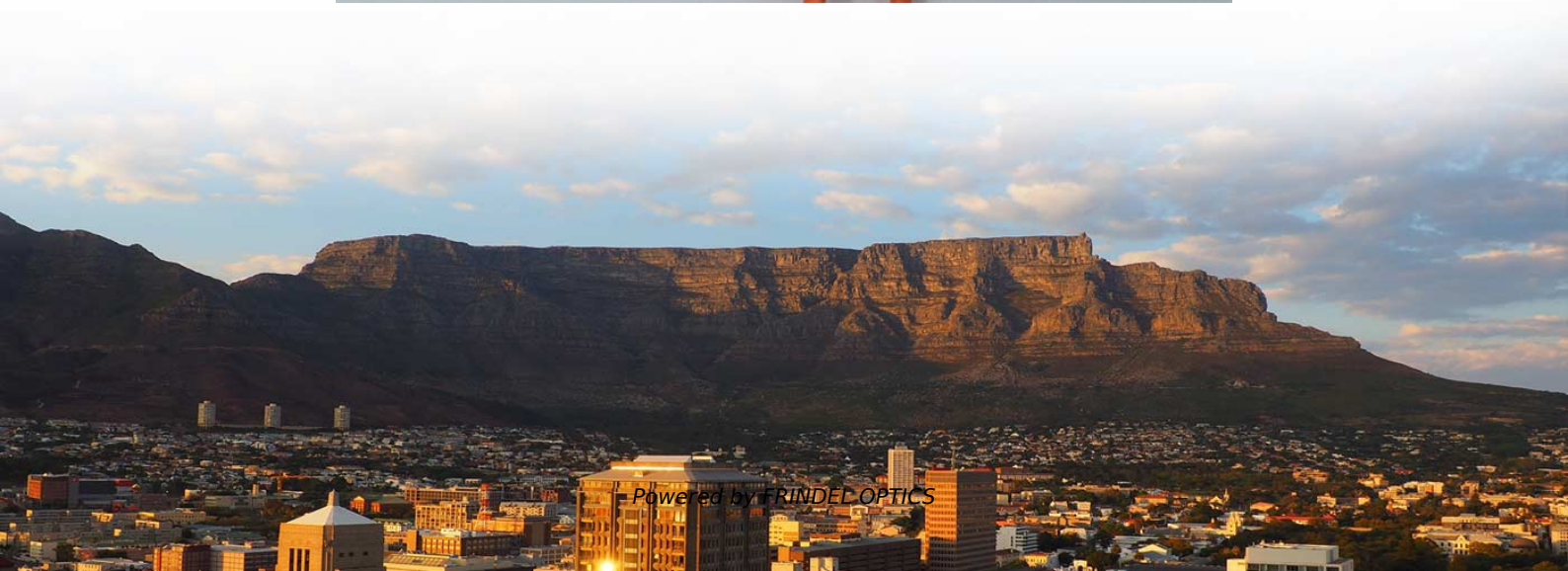


10kV High Voltage Busbar Connection





10kV High Voltage Busbar Connection



Busbars and Connectors in HV and EHV installations

What is an Electric Busbar? An electric busbar is a conductor or set of conductors designed to collect electrical power from incoming feeders and distribute it to

[Contact Us](#)

Flexible Busbar Solution for High Current Density Applications

This paper discusses the advantages and limitations of cable connections, rigid bus bar connection and flexible bus bar connections for high current density applications.

[Contact Us](#)



Insulated busbar system , Batenburg Energietechnik

Insulated busbar systems A fully insulated busbar system like DURESCA is used to connect medium- or high-voltage equipment reliably and safely. Such as

[Contact Us](#)



Busbars and Connectors in HV and EHV installations

Learn about materials, connection methods, thermal management, and their vital role in power distribution for industrial and data center applications.



Busbars for High-Voltage Power Systems: The Key to

Busbars are constructed from conductive metal bars, typically made of copper or aluminum, with a large cross-sectional area and insulated by

[Contact Us](#)



Diablo 400 Project: Rack and Power

6.3 Impact This is the first disaggregated power rack specification. Standardizing the high voltage rack architecture will hopefully lead to a common supply chain, provide end to end

[Contact Us](#)



10kV Copper Busbar Cable Branch Box

The 10kV copper busbar cable branching box is a connection device in high-voltage distribution systems that branches a main cable into multiple circuits.

[Contact Us](#)





Standard cubicle configurations for a medium voltage

MV metal-enclosed switchgear This technical article will shed some light on the standard design of medium voltage metal-enclosed switchgear

[Contact Us](#)



EMS , ? Electrical Insulated Busbars for your Busbar

We use only high-quality materials and have a wide range of options, even for small installation spaces. Our red busbar insulation, for example, is also ideally suited

[Contact Us](#)

Cdada 1kv 10kv 35kv Electric Busbar Connection Enclosure for

Featuring high and low voltage switchgear circuit breakers that remain undeformed even under extreme heat, it boasts uniform wall thickness, precise sizing, and consistent performance.

[Contact Us](#)



Catalog Extract LV 10 - 04/2023

Technical specifications Rated insulation voltage U_i Rated operational voltage U_e Degree of protection Rated current I_n Rated peak withstand current I_{pk} Rated short-time withstand current I_{cw} (1 s)

[Contact Us](#)



Busbar enclosure for temporary power & high current

A busbar is a crucial element of any efficient electrical power distribution system allowing for greater flexibility and reduced overall installation costs. Abtech's

[Contact Us](#)



Busbars and Connectors in HV and EHV installations

Insulated Busbars & Trunking Systems In indoors MV and LV installations, namely with high currents and space available is low, busbars may be surrounded by

[Contact Us](#)

Busbar Power Connectors/Distribution , High Current

These board-to-busbar connectors are designed to meet OCP V3 power distribution architecture standards and are ideal for use in power shelves,

[Contact Us](#)



2CDC446001D0201

Technical data Busbar systems and installation accessories When connecting aluminum conductors, ensure that the contact surfaces of the conductors are cleaned, brushed and treated with grease. Re

[Contact Us](#)



Deye 10KW Inverter 10000w Three Phase 3 Phase High-voltage 2

Q: DC busbar voltage is low A: PV voltage low means the string's voltage is low. DC connector loose connection, or no connection of the panels, or the number of PV module in series is few.

[Contact Us](#)



Catalog Extract LV 10 · 10/2022

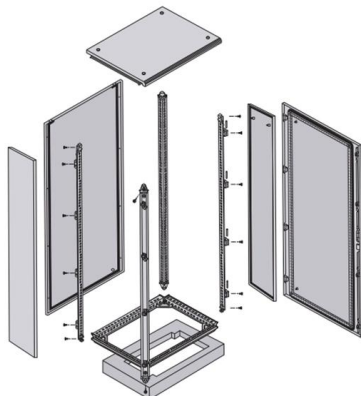
Our busbar systems for electrical installations offer a particularly easy way of fitting distribution systems with electrotechnical components. The modular design saves space, while quick assembly contacts

[Contact Us](#)

world.taobao : High and Low Voltage Cold Shrink Tube Cable

¥3.7 Approx. ?\$0.55 Electrical Busbar Over-Voltage and Under-Voltage Protection + 2P Modular Combined Circuit Breaker Wiring Bar Connection Bar Jumper Copper Bar Cross-Connection ¥2.4

[Contact Us](#)



Vertiv PowerBar HPB

Technical Features Vertiv™ Powerbar HPB is constructed from high density 99.97% conductivity copper or 55% conductivity aluminium. ic coating process. The epoxy coating is non-hygroscopic and

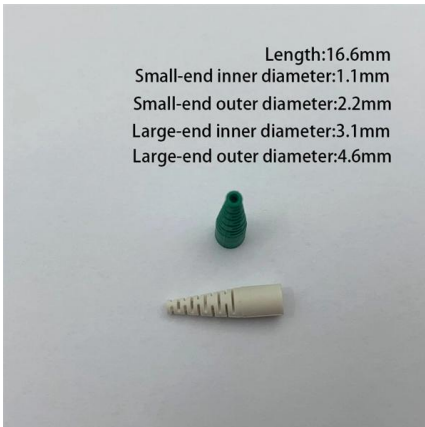
[Contact Us](#)

Insulated busbar system , Batenburg



A fully insulated busbar system like DURESCA is used to connect medium- or high-voltage equipment reliably and safely. Such as generators, power transformers or

[Contact Us](#)



Busbar Design for High-Power SiC Converters

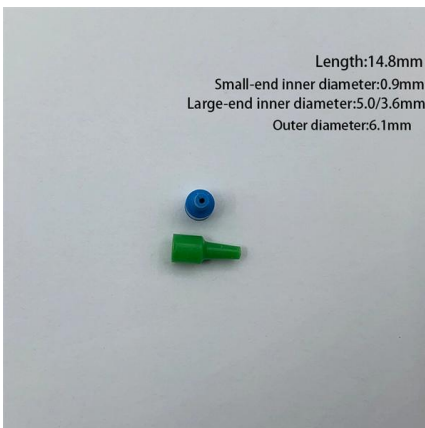
Abstract Busbars are critical components that connect high-current and high-voltage subcomponents in high-power converters. This paper reviews

[Contact Us](#)

Download Your Ultimate 10KV Busbar Duct Drawing

This CAD file is meticulously prepared for electrical engineers, power system designers, and switchgear manufacturers who require precise

[Contact Us](#)



Distinguishing High and Low Voltage Busbars

Voltage Level High Voltage Busbars: Typically refer to busbars with a rated voltage of 1kV and above, including common voltages such as 10kV, 35kV, and 110kV. They are primarily used in power

[Contact Us](#)



Catalog Extract LV 10 · 10/2022

Low-Voltage Power Distribution and Electrical Installation Technology Simplified distribution board design and time-saving assembly
Simplified assembly and connection of electrical power distribution

[Contact Us](#)



High-Current High-Voltage Solutions

Molex provides a versatile range of high-current high-voltage busbar solutions suitable for various applications and environments. Busbars and busbar

[Contact Us](#)

Contact Us

For datasheets, pricing, or custom fiber access solutions, please visit:
<https://www.frindel.es>